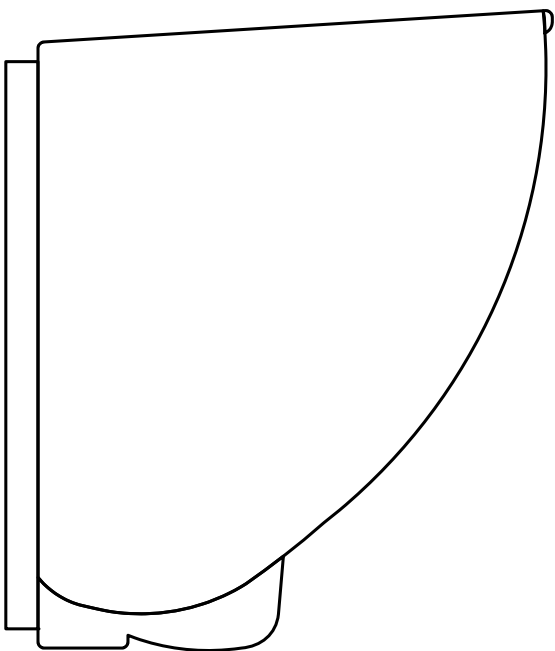


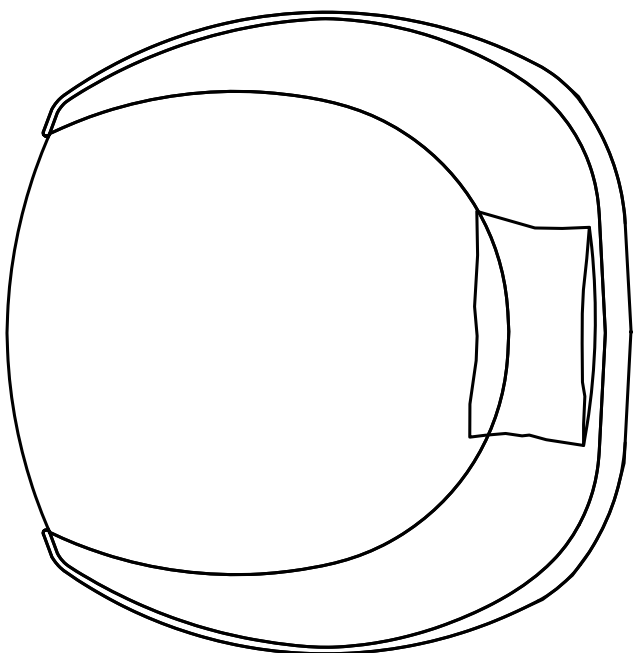
33 15/32

850



17 21/64

440



39 7/32

996

800

31 1/2



1000

39 3/8